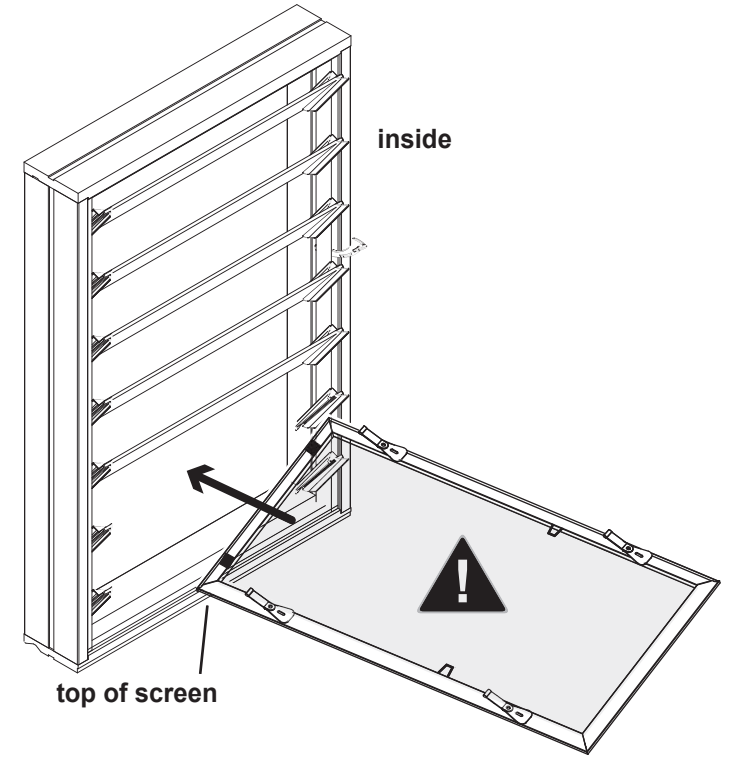
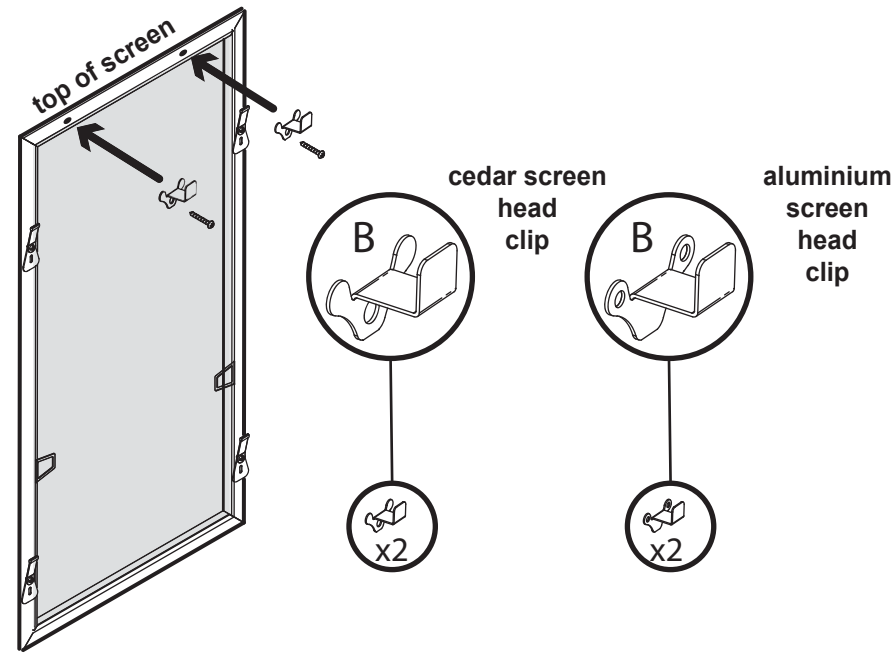


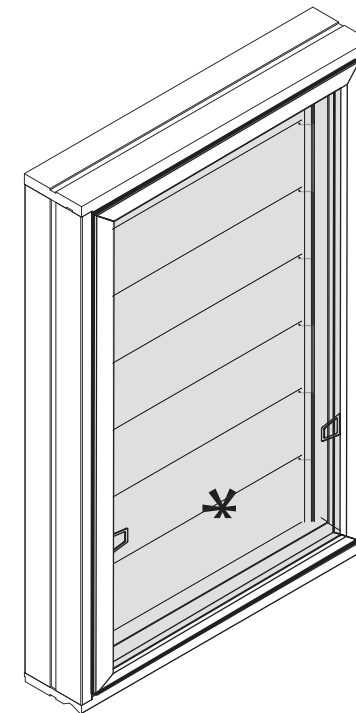
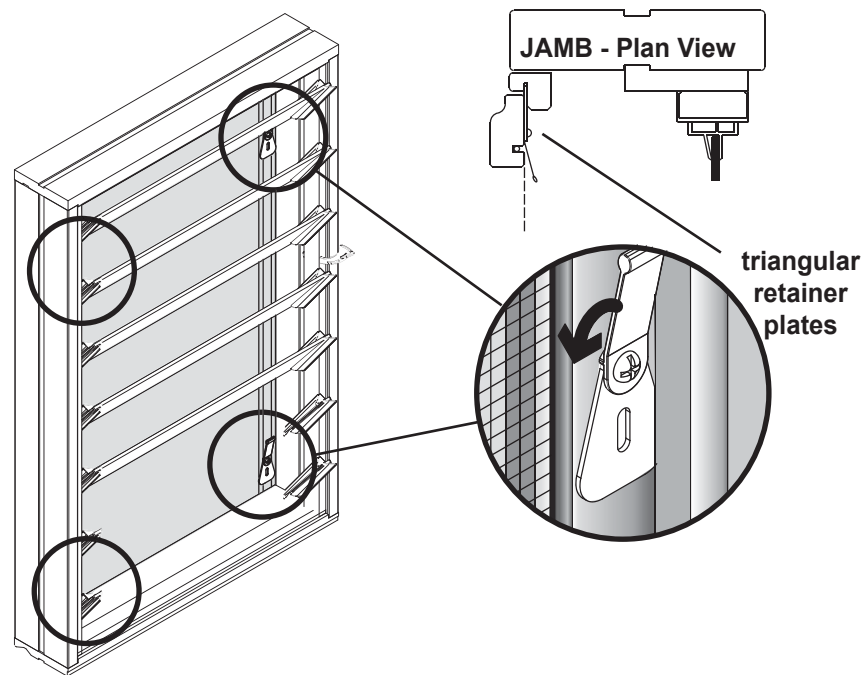
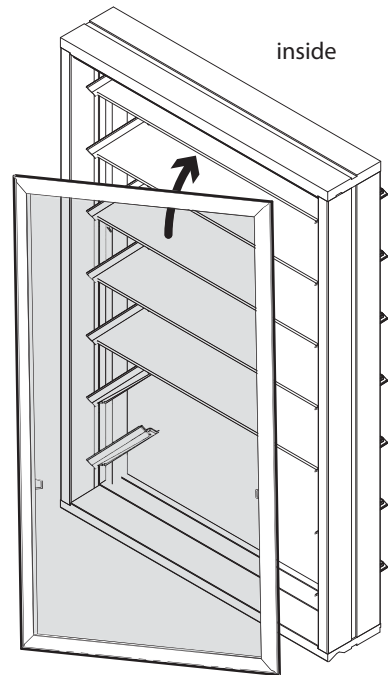
triangular retainer plates & handle



1. a). You should have received either an aluminium or cedar framed screen (a111 or c118) with:
- 2 triangular retainer plates either side (A) or 3 either side for screens over 1800mm high.
  - a pack which contains 2 head clips (B) and 2 screws or pop rivets to fix them.
- b). Check that the screen is the correct size for the window. It should fit neatly into the outside rebate of the window frame.

2. Attach head clips to the screen through the holes already made. Fix using the screws provided

3. Remove bottom 2 blades.



4. Bring flyscreen in and pull up the top of the screen so that the head clips grip the top bead.

5. At each of the triangular retainer plates, use the plastic handle and rotate the clips into recess.

6. Finished!

**!** When fitting a screen to windows on a second or third floor level, tie a light nylon cord to the lift tabs to secure the screen so that it is not damaged or causes damage if it is dropped

\* Replace bottom 2 blades.