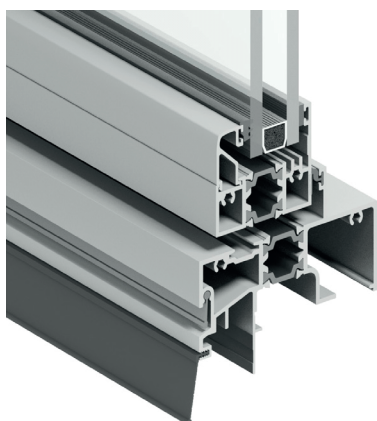


# THERMAARC AWNING WINDOWS



The ThermaArc awning window is the perfect combination of energy performance and style – and it is available in sizing that allows for maximum visual impact and design flexibility. The robust 88mm frame depth and 50mm sashes achieve larger expanses of glass, including 2318 high x 1122 wide lites.

- Robust, modern frame supports bigger windows and better acoustics.
- High performance and energy-efficient double-glazing prevents heat transfer between inside and outside, reduces energy bills and offers year-round comfort.
- Awning design enables all-weather ventilation.
- All windows keyed alike. Use one key for multiple windows.
- Compatible with different construction methods and materials.
- Configuration options allow for greater flexibility and bigger windows.
- Chain winder features an integrated lock-and-handle in one. The stainless-steel chain offers durability and reliability.
- On larger windows, modern low-profile sash fasteners ensure a tight seal.
- Restricted opening option to prevent falls.
- All sashes and panels can be removed and installed on-site to minimise associated safety risks with the increased size and weight of the windows.
- Performance seals offer improved noise insulation and prevent dust, water and wind penetration
- 20-24mm glazing pocket allows for custom high-performance energy efficient and acoustic glass.



#### **Thermally broken and energy efficient frames**

The thermally broken frames prevent heat transfer, improve energy efficiency, and offer low maintenance and durability.

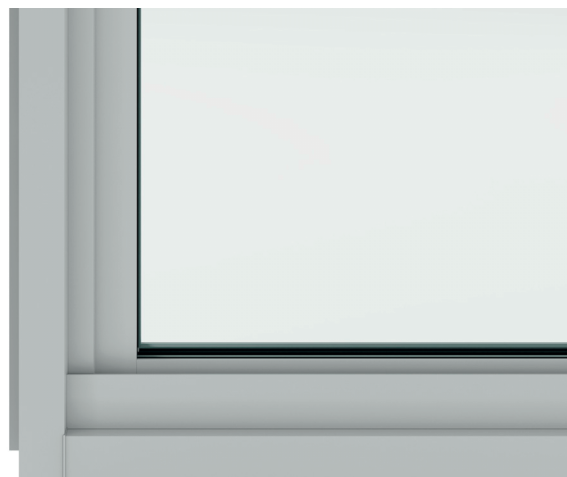
## Specifications

<b>Product</b>	<b>Awning Windows</b>
<b>Product series</b>	ThermaArc
<b>Frame profile</b>	88mm x 35mm
<b>Sill options</b>	N/A
<b>Max frame</b>	6000mm high
<b>Max sash</b>	618mm high x 2632mm wide 2318mm high x 1122mm wide Max weight 80kgs
<b>Sash profile</b>	Stiles – 50mm, bottom rail – 40mm, top rail – 40mm
<b>Glazing</b>	20mm – 24mm Double glazing only
<b>BAL rating</b>	Deemed to satisfy BAL29
<b>Seal type</b>	PVC bulb seal
<b>Colour options</b>	Ultra Black, Pearl White, Surfmist and Monument
<b>Screen options</b>	Flyscreen and barrier screens
<b>Hardware options</b>	<ul style="list-style-type: none"> <li>• Chain winder – Black, White, Monument and Silver</li> <li>• Sash fastener – Black, White, Monument</li> </ul>
<b>Installation options</b>	By builder
<b>Warranty</b>	10-year warranty

For full range of configurations and standard sizes refer to the standard size and range charts.

## Performance

Acoustic performance	
Performance criteria	Glass type
<b>RW33</b>	Double glazing – 4/12Ar/4
<b>RW37</b>	Double glazing – 4/10Ar/6.38 Lam
<b>RW37</b>	Double glazing – 4/10Ar/6.5 Vlam Hush
<b>RW38</b>	Double glazing – 6/8Ar/10.38 Lam
<b>RW40</b>	Double glazing – 4/8Ar/12.76 Lam
Wind and water performance	
Performance criteria	Rating
<b>SLS</b>	1200Pa
<b>ULS</b>	3000Pa
<b>Water</b>	450Pa
<b>N rating</b>	N4 Corner/N5
Thermal performance	
Performance criteria	Rating
<b>Double glazed Uw range</b>	2.1 – 3.0
<b>Double glazed SHGC range</b>	0.17 – 0.51



### **Bold modern frame**

Achieves larger window sizes and offers greater visual impact.

# THERMAARC AWNING WINDOWS

## Hardware



Chain winder



Sash fastener

## Screens



Aluminium screen fixed internally



Aluminium screen fixed internally, with sash fasteners