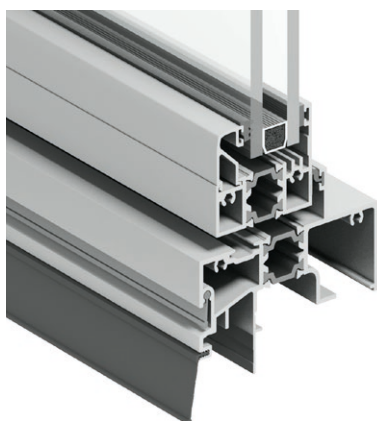


THERMAARC AWNING WINDOWS



The ThermaArc awning window is the perfect combination of energy performance and style – and it is available in sizing that allows for maximum visual impact and design flexibility. The robust 88mm frame depth and 50mm sashes achieve larger expanses of glass, including 2318 high x 1122 wide lites.

- Robust, modern frame supports bigger windows and better acoustics.
- High performance and energy-efficient double-glazing prevents heat transfer between inside and outside, reduces energy bills and offers year-round comfort.
- Awning design enables all-weather ventilation.
- All windows keyed alike. Use one key for multiple windows.
- Compatible with different construction methods and materials.
- Configuration options allow for greater flexibility and bigger windows.
- Chain winder features an integrated lock-and-handle in one. The stainless-steel chain offers durability and reliability.
- On larger windows, modern low-profile sash fasteners ensure a tight seal.
- Restricted opening option to prevent falls.
- All sashes and panels can be removed and installed on-site to minimise associated safety risks with the increased size and weight of the windows.
- Performance seals offer improved noise insulation and prevent dust, water and wind penetration
- 20-24mm glazing pocket allows for custom high-performance energy efficient and acoustic glass.



Thermally broken and energy efficient frames

The thermally broken frames prevent heat transfer, improve energy efficiency, and offer low maintenance and durability.

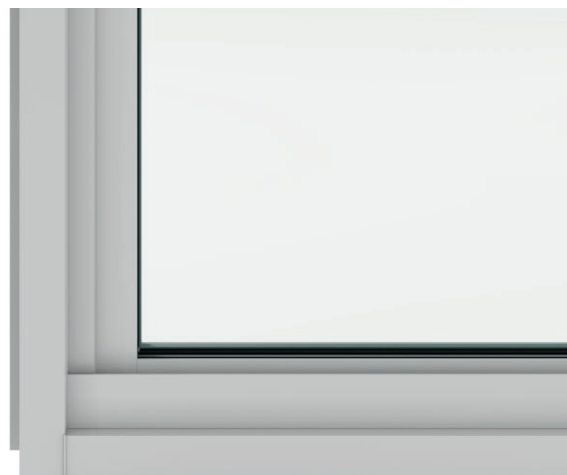
Specifications

Product	Awning Windows
Product series	ThermaArc
Frame profile	88mm x 35mm
Sill options	N/A
Max frame	6000mm high
Max sash	618mm high x 2632mm wide 2318mm high x 1122mm wide Max weight 80kgs
Sash profile	Stiles – 50mm, bottom rail – 40mm, top rail – 40mm
Glazing	20mm – 24mm Double glazing only
BAL rating	BAL40
Seal type	PVC bulb seal
Colour options	Ultra Black, Pearl White, Surfmist and Monument
Screen options	Flyscreen and barrier screens
Hardware options	<ul style="list-style-type: none"> • Chain winder – Black, White, Monument and Silver • Sash fastener – Black, White, Monument
Installation options	By builder
Warranty	10-year warranty

For full range of configurations and standard sizes refer to the standard size and range charts.

Performance

Acoustic performance	
Performance criteria	Glass type
RW33	Double glazing – 4/12Ar/4
RW37	Double glazing – 4/10Ar/6.38 Lam
RW37	Double glazing – 4/10Ar/6.5 Vlam Hush
RW38	Double glazing – 6/8Ar/10.38 Lam
RW40	Double glazing – 4/8Ar/12.76 Lam
Wind and water performance	
Performance criteria	Rating
SLS	1200Pa
ULS	3000Pa
Water	450Pa
N rating	N4 Corner/N5
Thermal performance	
Performance criteria	Rating
Double glazed Uw range	2.1 – 3.0
Double glazed SHGC range	0.17 – 0.51



Bold modern frame

Achieves larger window sizes and offers greater visual impact.

THERMAARC AWNING WINDOWS

Hardware



Chain winder



Sash fastener

Screens



Aluminium screen fixed internally



Aluminium screen fixed internally, with sash fasteners