

THERMAL ENERGY EFFICIENT SERIES

Thermally Broken Windows and Doors



& DOORS

ENERGY EFFICIENCY



GOING GREEN

Sustainable living is no longer a concept of the future, a growing number of builders, homeowners and architects are exploring sustainable construction solutions.



NCC CHANGES

The NCC 2022 changes include increasing the stringency of the energy efficiency provisions for residential buildings.



SECTION J

Over recent years energy efficient requirements for multi-residential and commercial buildings have also become more stringent.



THERMAL PERFORMANCE

The new thermally broken series from Trend provides an energy efficient solution to meet the increasing demands for thermal performance.



FULLY TESTED

The series has been rigorously tested to suit a host of different performance requirements, to suit a range of applications.



FEATURED PACKED

Designed to meet the demands of architecturally designed homes, multi-residential projects and commercial buildings the range is feature packed.

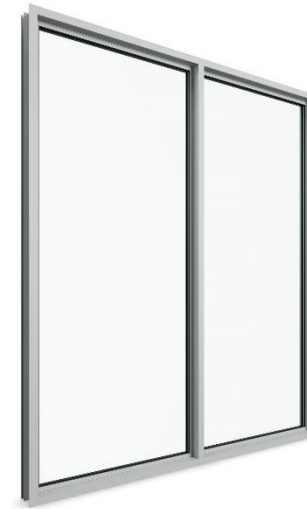
THE RANGE - WINDOWS



Awning



Sliding and Stacking



Fixed
Inc. Aneeta and Breezway

THE RANGE - DOORS



THERMAL ENERGY EFFICIENT SERIES

Feature Packed



& DOORS

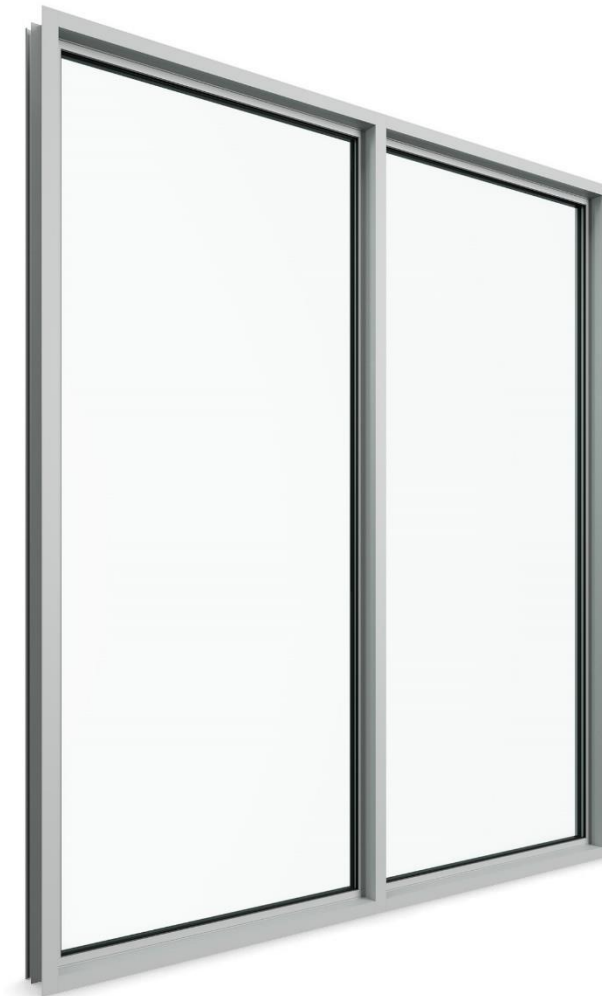
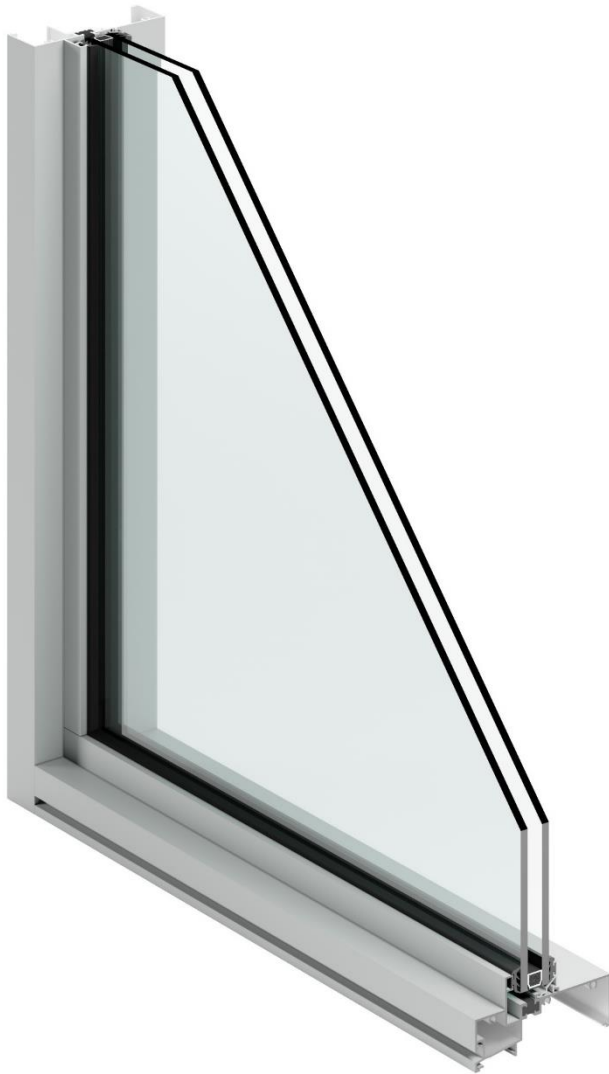
THERMALLY BROKEN TECHNOLOGY

Thermally broken technology together with high performance double glazing minimises the transfer of heat and cold to provide optimum performance.

- Improved comfort of the building, reduced energy costs
- Avoids condensation build-up on the interior surface of the frame
- Thermally broken sub-framing available

Product	U-value SHGC
Awning window	3.0 – 5.5 0.29 – 0.51
Sliding window	2.5 – 5.6 0.34 – 0.60
Stacking window	2.5 – 5.6 0.34 – 0.60
Fixed window	2.2 – 5.7 0.39 – 0.69
Sliding door	2.2 – 5.5 0.36 – 0.64
Stacking door	2.2 – 5.5 0.36 – 0.64
Hinged door	2.3 – 5.0 0.29 – 0.51





BOLD DESIGN AESTHETIC

Straight cut sashes and panels and clean lines creates a symmetrical modern design aesthetic.



SEAMLESS COUPLING

All products have a consistent frame size, creating a seamless look between the range and ideal for coupling of products.

GLAZING OPTIONS

Max 26mm glazing pocket provides a range of glazing options to achieve exceptional acoustic performance and energy efficiency.

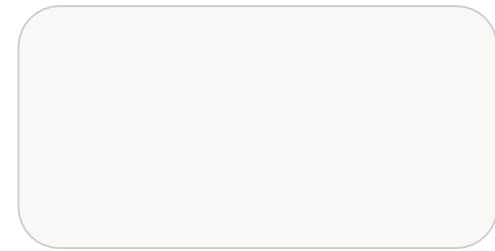
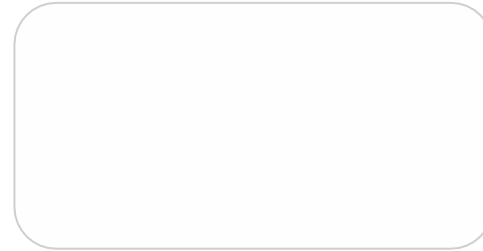
Available in glass options:

- Clear
- Low E
- White
- Grey

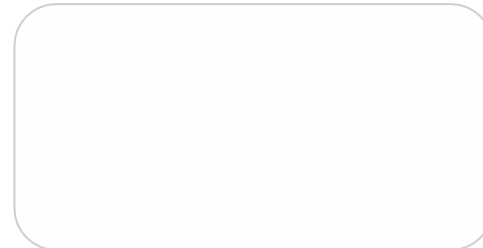


COLOUR OPTIONS

Frame available in 4 colours: Ultra Black, Monument, Pearl White and Surfmist.



Hardware available in 3 colours: Black, Silver and White.



SCREENING OPTIONS

All products feature an integrated screen channel which suits any standard flyscreen for a seamless look.





CONCEALED DRAINAGE

All products feature concealed drainage slots for a clean aesthetic.

SLIDING AND STACKING DOORS

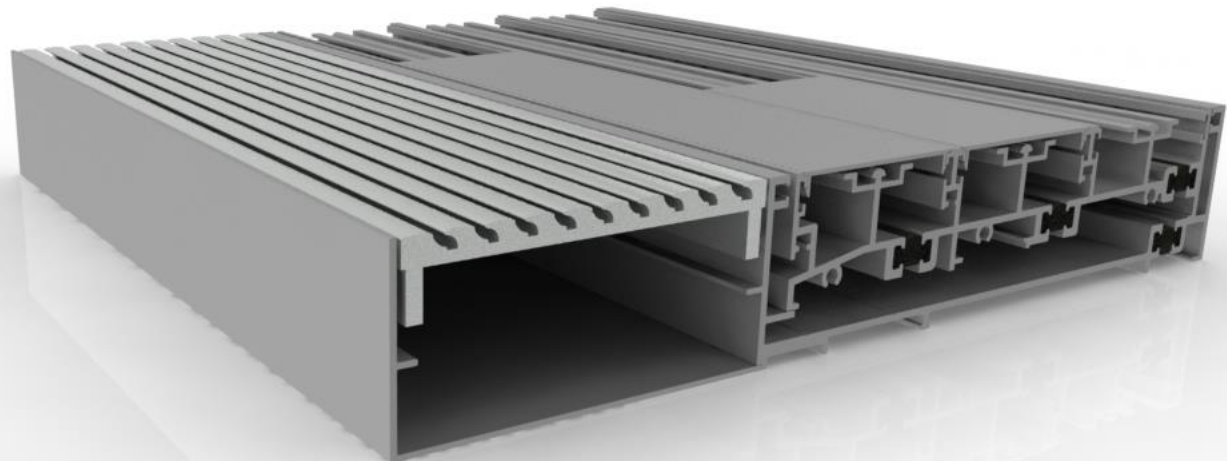
ARCHITECTURAL SILL OPTIONS

Achieve flush internal and external sills for a seamless transition from indoors to outdoors.

Partnership with



Sub sill designed to suit the
65mm or 100mm Stormtech Grates



Available Grate Styles



AR
Architectural Grate
2mm wire / 2.5mm gap



TR
Standard Grate
3mm wire / 5mm gap



Ti
Tile Insert



MND
Marc Newson
Design



PS
Punched Slot



PPS
Punched
Perpendicular

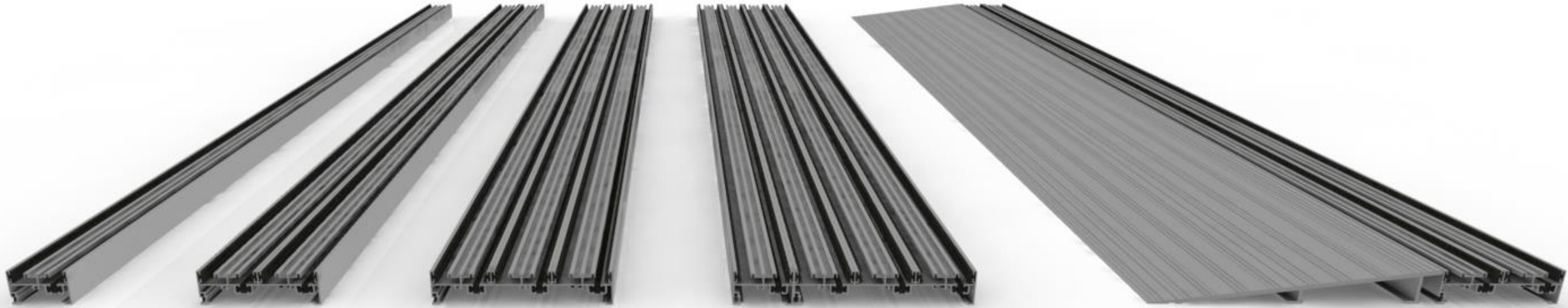


PAS
Punched Angle

SLIDING AND STACKING DOORS

FLEXIBLE CONFIGURATIONS

Wide range of sill options for flexibility in sliding and stacking door configurations. Disability compliant when rebated and disability ramped sill option available.



HINGED DOORS

FLEXIBLE CONFIGURATIONS

For hinged doors, a flat sill option is available which suits a sump sill for small water egress. The standard sill allows for both open in and open out options.

No sill option available with automatic panel seal.



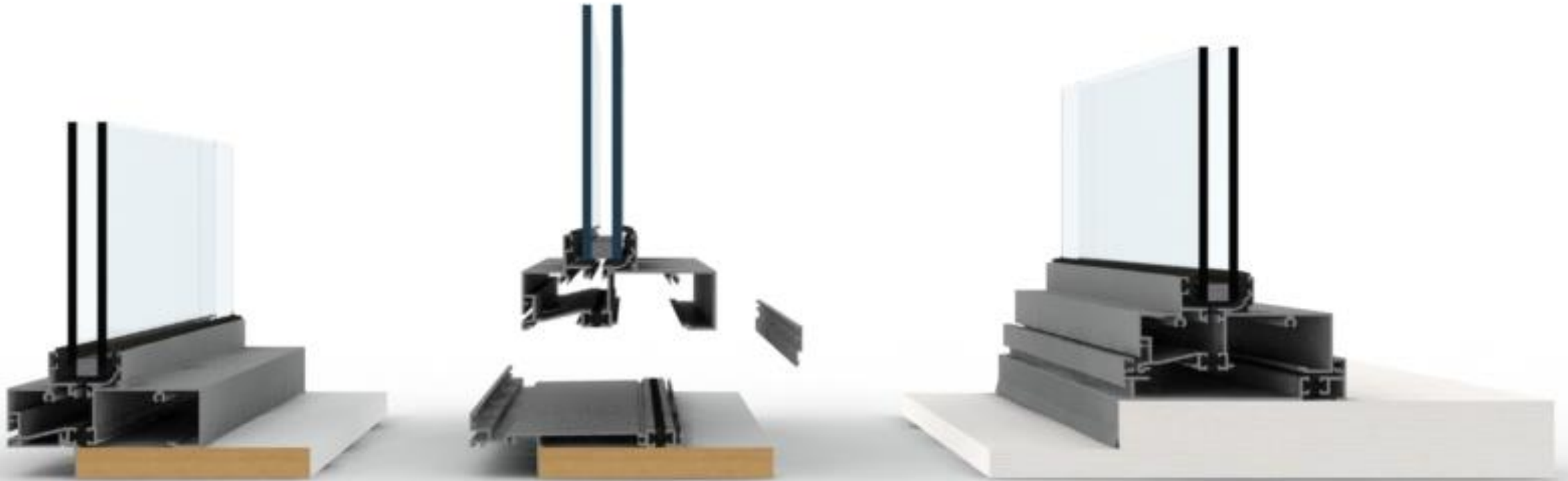
Flat sill

Standard sill for open in and open out configurations

INSTALLATION

Reveal and sub framing options available to suit a range of residential and commercial applications.

- Revealed – suits brick veneer or lightweight construction.
- NEW revealed perimeter frame – perimeter frame is installed prior to windows and doors.
- Sub frame – suits commercial and architectural installation.

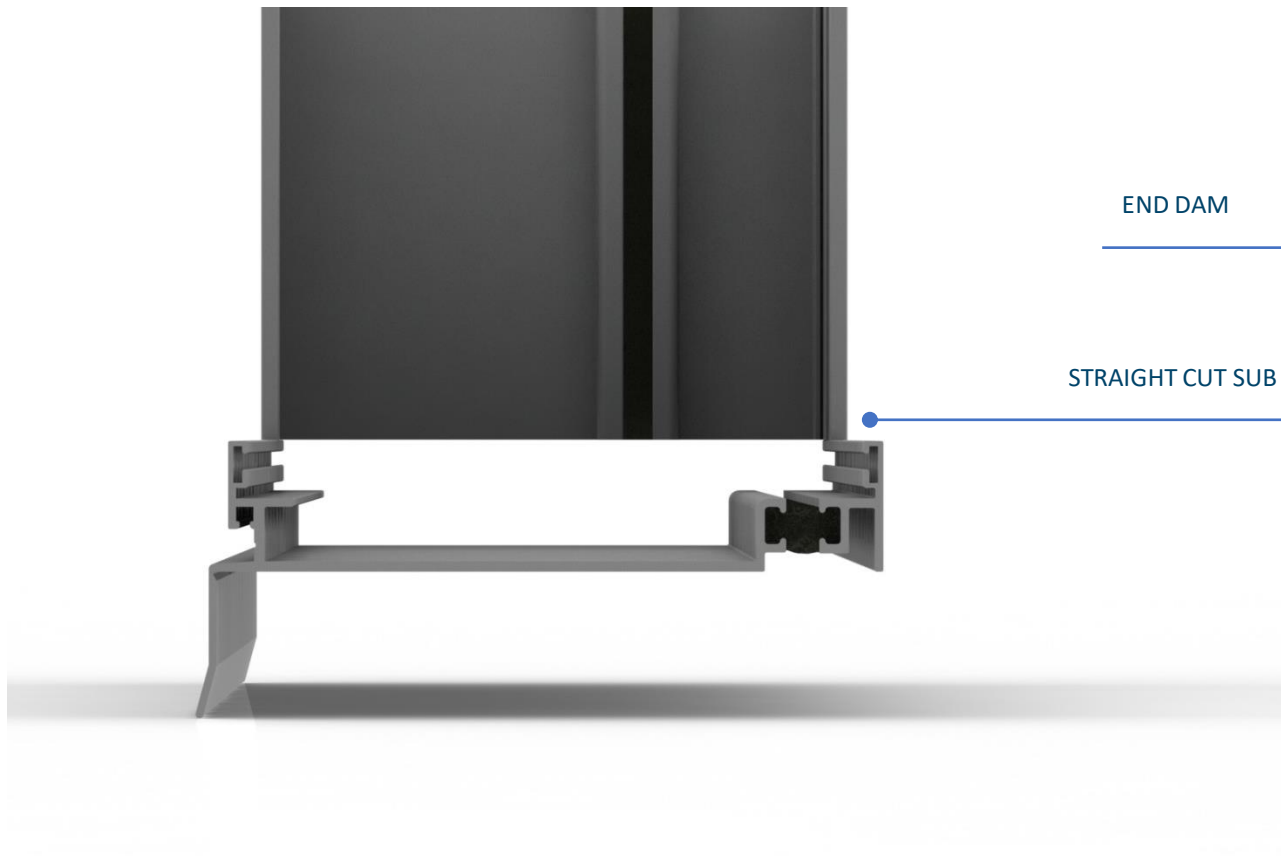


Revealed

NEW revealed perimeter frame

Sub frame

INSTALLATION



END DAM

STRAIGHT CUT SUB JAMB



THERMAL ENERGY EFFICIENT SERIES

Product Specifications



& DOORS

AWNING WINDOW

SPECIFICATIONS

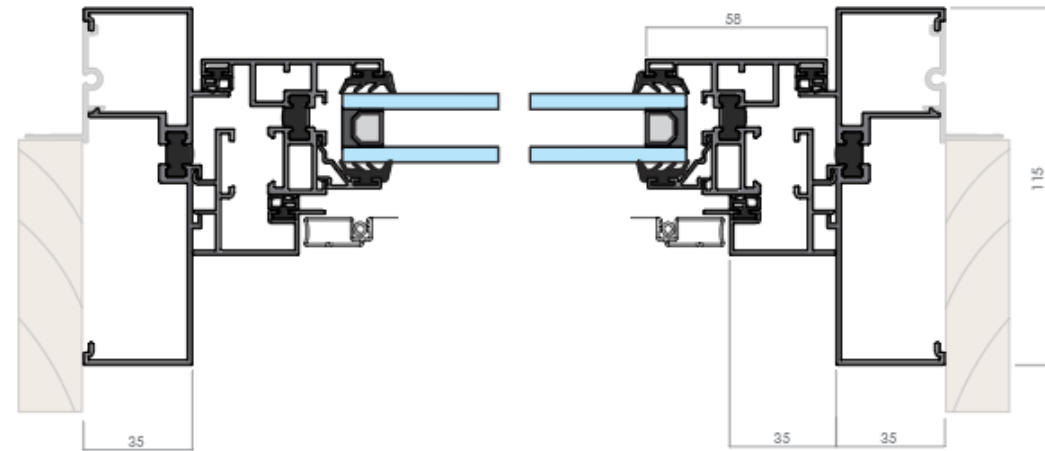
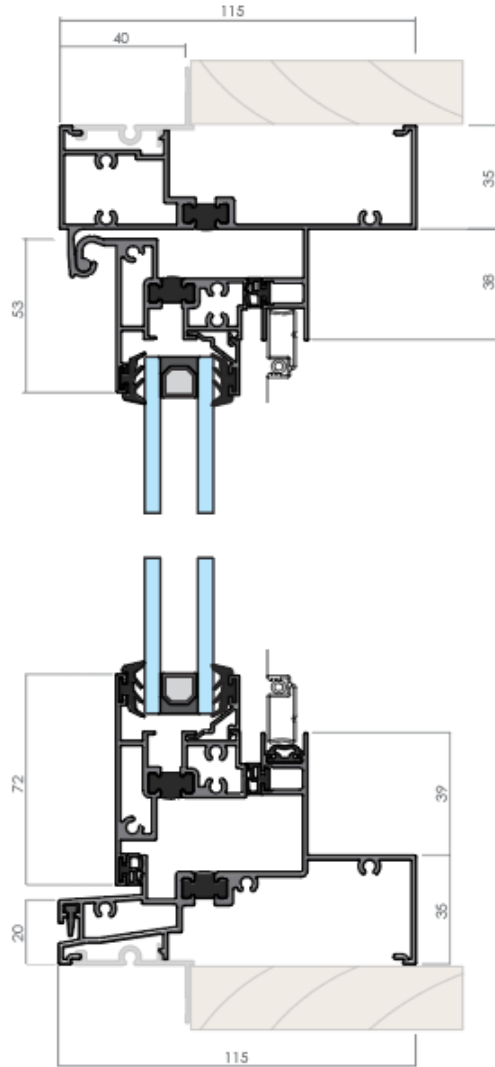
Frame profile	115mm x 35mm
Size limitations (Sash Sizes)	2400mm x 1200mm OR 1000mm x 2400mm
Glazing	4mm – 24mm Single and double glazing
BAL rating	Deemed to satisfy BAL29
Seal type	Double Bulb Seal
Colour options	Black, White, Surfmist, Monument
Screen options	Flyscreen & Barrier
Hardware options	<ul style="list-style-type: none">• Chain winder• Hook Hinge
Warranty	10-year warranty

PERFORMANCE

Wind and water performance	
Performance criteria	Rating
SLS	1800Pa
ULS	3000Pa
Water	300Pa 600pa (sub sill)
N rating	N5
Thermal performance	
Performance criteria	Rating
U Value SHGC	3.0 – 5.5 0.29 – 0.51



AWNING WINDOW



SLIDING WINDOW

SPECIFICATIONS

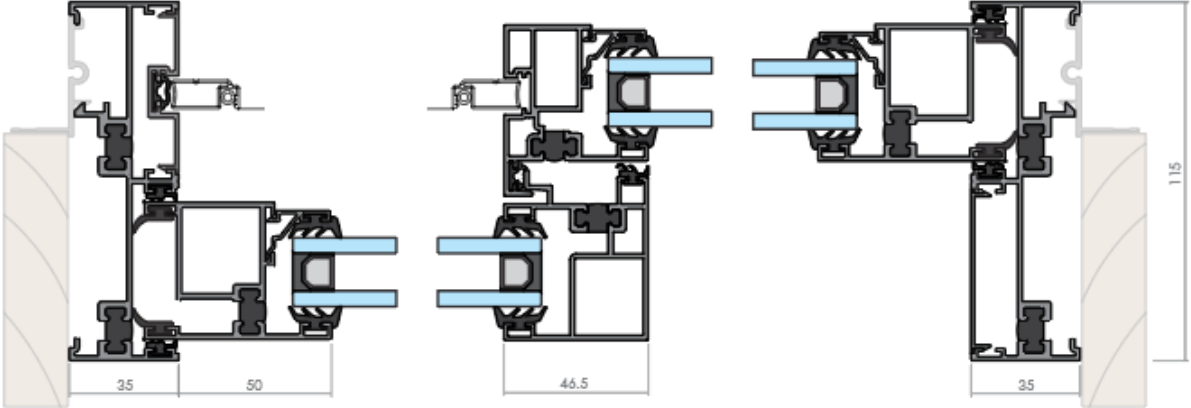
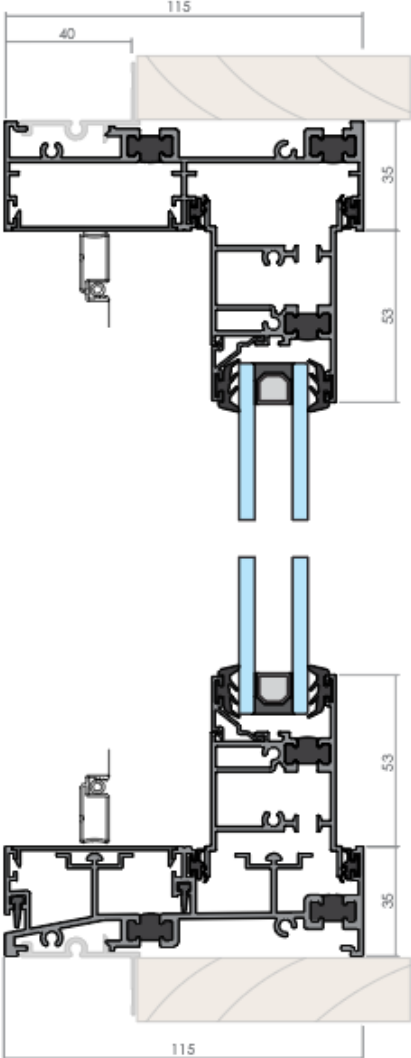
Frame profile	115mm x 35mm
Size limitations (Sash Sizes)	1600mm x 1350mm
Glazing	4mm – 24mm Single and double glazing
BAL rating	Deemed to satisfy BAL29
Seal type	Flexible rubber seals
Colour options	Black, White, Surfmist, Monument
Screen options	Flyscreen & Barrier
Hardware options	<ul style="list-style-type: none">• Flush Mortice Lock & Handle• Double wheel rollers
Warranty	10-year warranty

PERFORMANCE

Wind and water performance	
Performance criteria	Rating
SLS	1500Pa
ULS	3000Pa
Water	300Pa 450pa (Sub sill)
N rating	N5
Thermal performance	
Performance criteria	Rating
U Value SHGC	2.5 – 5.6 0.34 – 0.60



SLIDING WINDOW



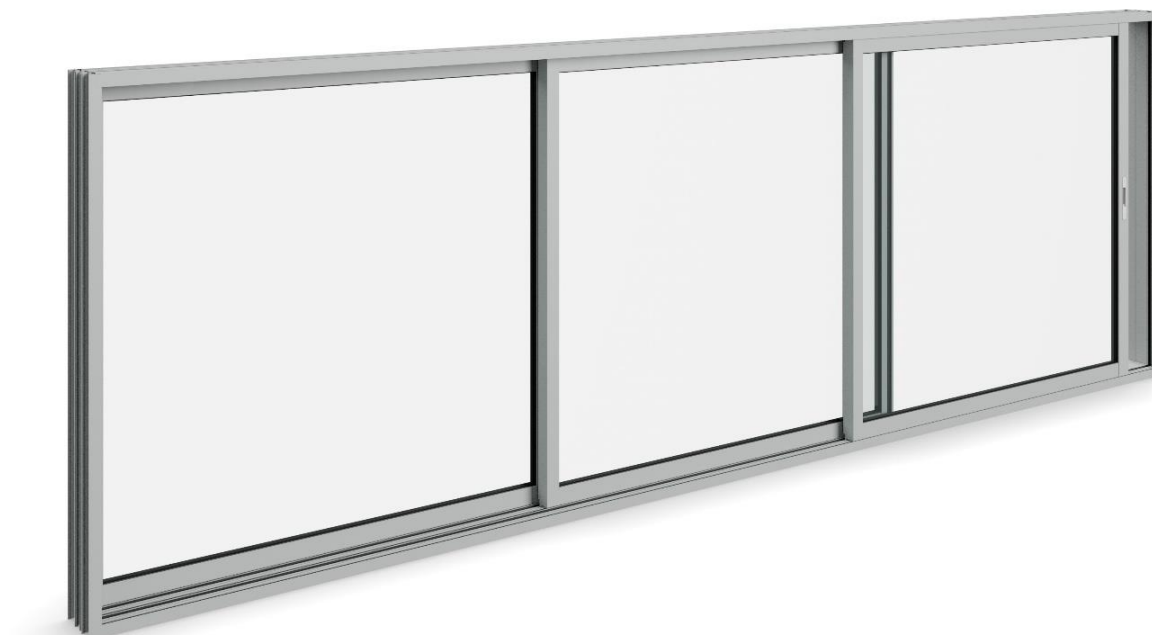
STACKING WINDOW

SPECIFICATIONS

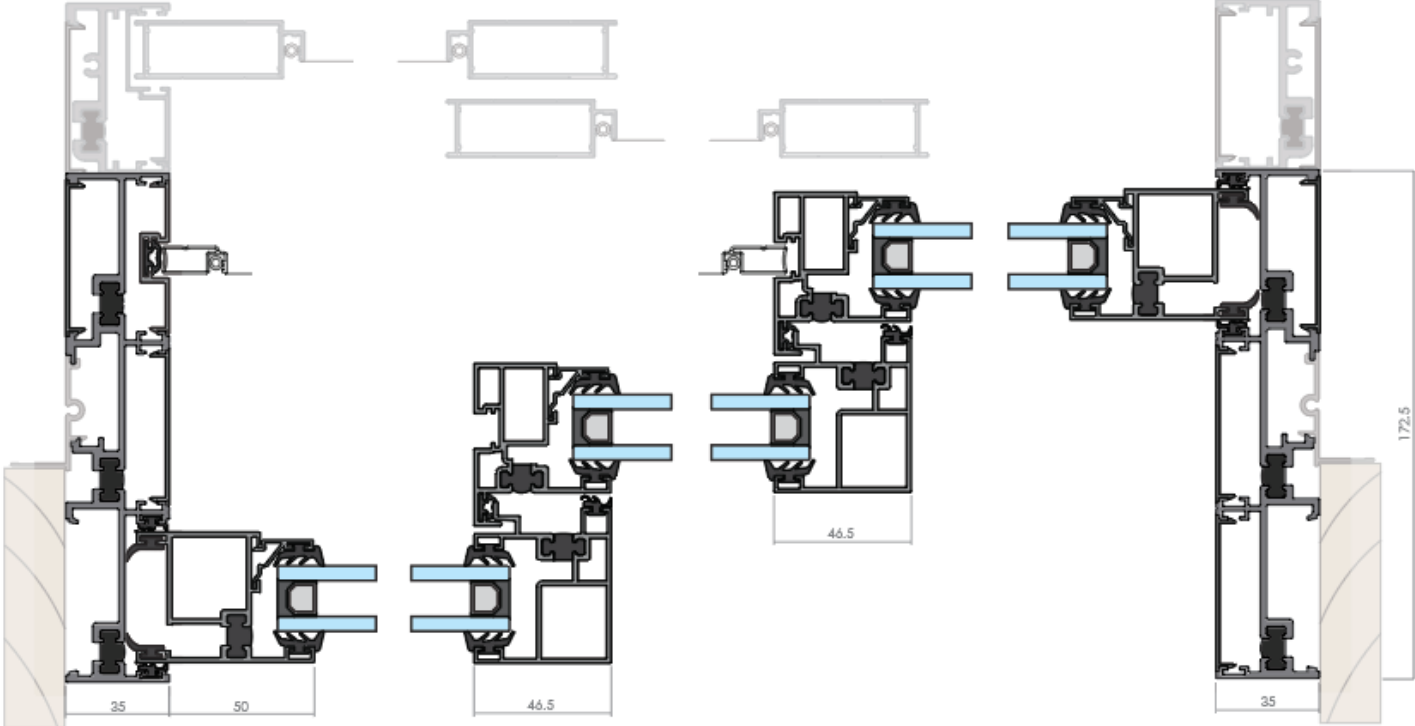
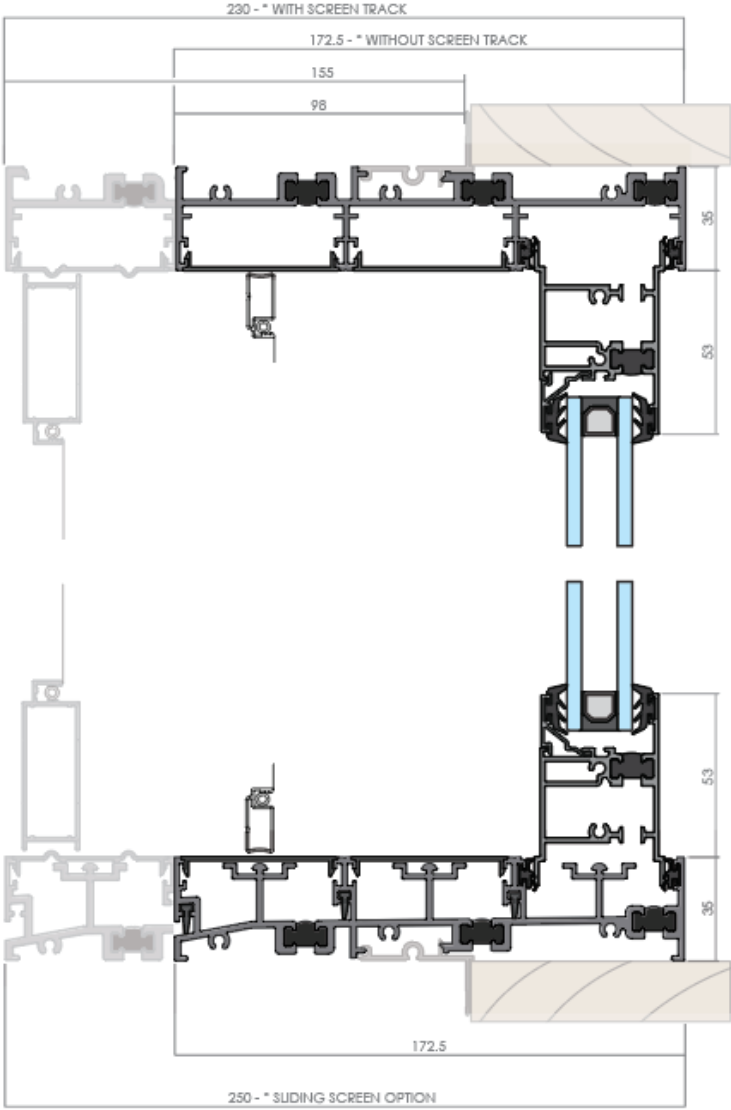
Frame profile	173mm x 35mm
Size limitations (Sash Sizes)	1600mm x 1350mm
Glazing	4mm – 24mm Single and double glazing
BAL rating	Deemed to satisfy BAL29
Seal type	Flexible rubber seals
Colour options	Black, White, Surfmist, Monument
Screen options	Flyscreen & Barrier
Hardware options	<ul style="list-style-type: none">• Flush Mortice Lock & Handle• Double wheel rollers
Warranty	10-year warranty

PERFORMANCE

Wind and water performance	
Performance criteria	Rating
SLS	1500Pa
ULS	3000Pa
Water	300Pa 450pa (Sub sill)
N rating	N5
Thermal performance	
Performance criteria	Rating
U Value SHGC	2.5 – 5.6 0.34 – 0.60



STACKING WINDOW



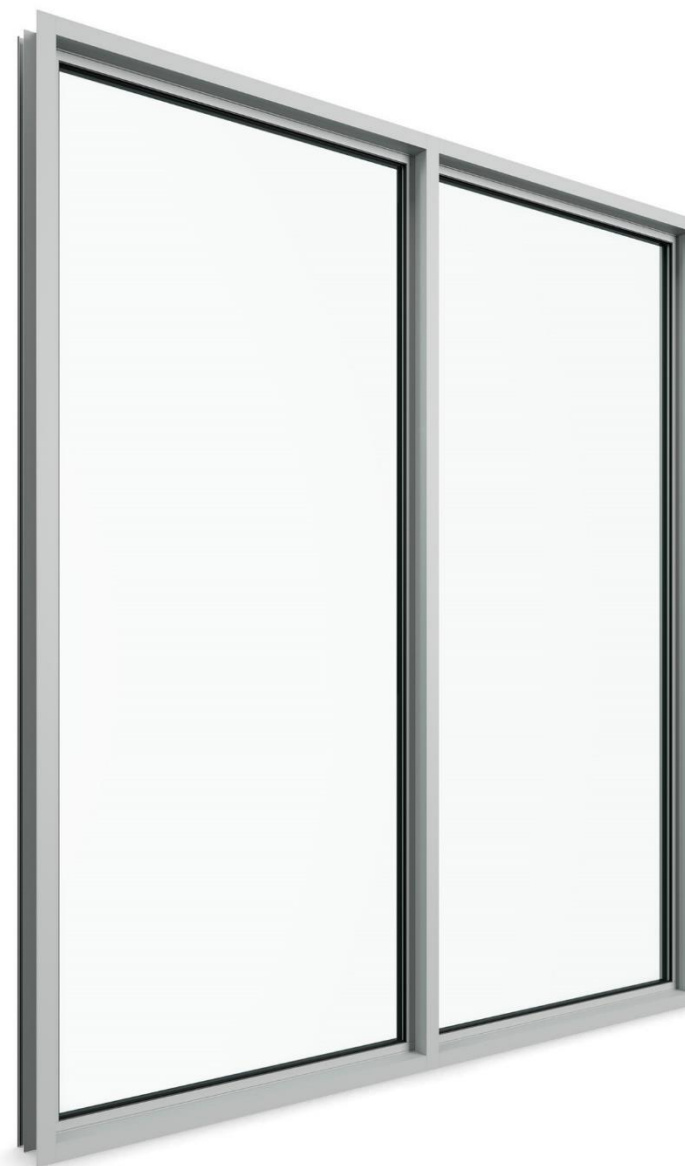
FIXED WINDOW

SPECIFICATIONS

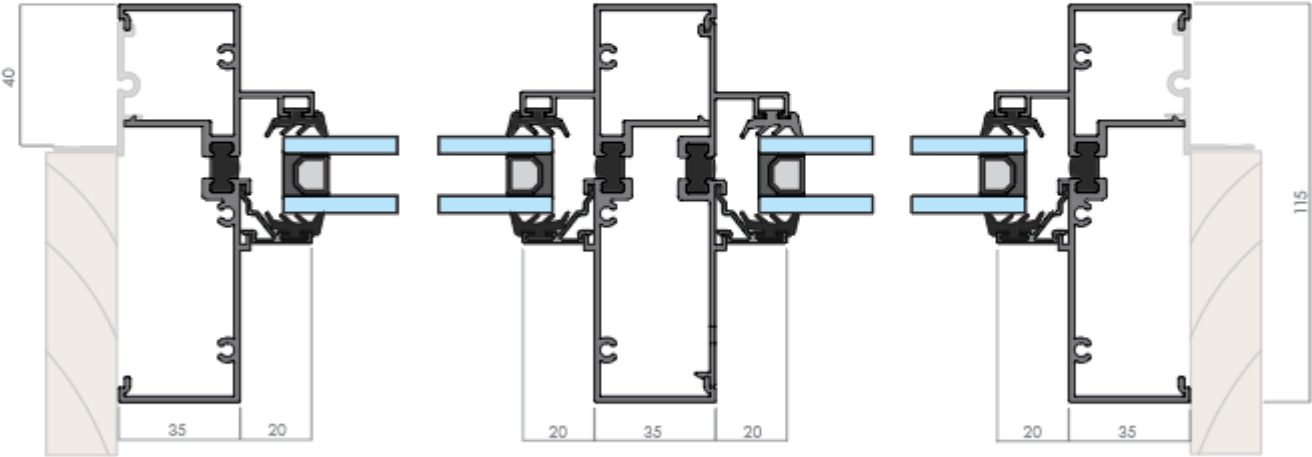
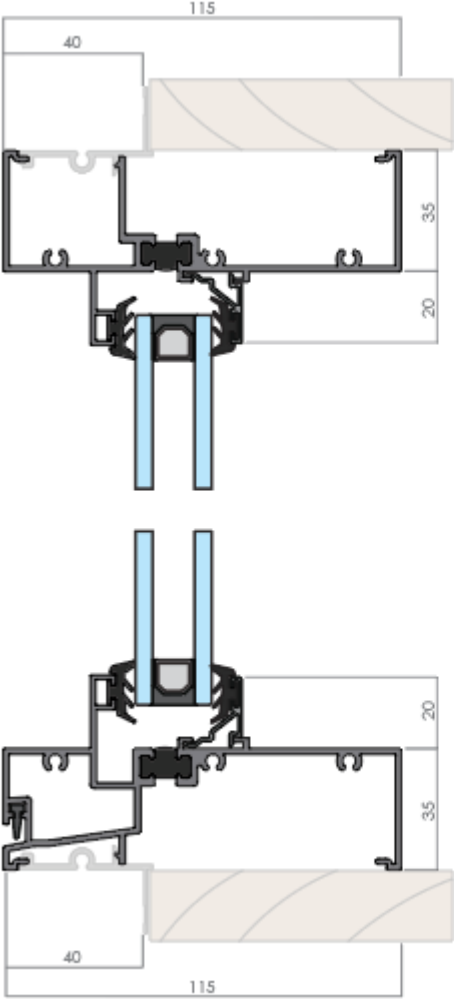
Frame profile	115mm x 35mm
Size limitations	Max 8.0m ²
Glazing	4mm – 24mm Single and double glazing
BAL rating	Deemed to satisfy BAL29
Seal type	Double wedge seal
Colour options	Black, White, Surfmist, Monument
Screen options	N/A
Hardware options	N/A
Warranty	10-year warranty

PERFORMANCE

Wind and water performance	
Performance criteria	Rating
SLS	1800Pa
ULS	3000Pa
Water	300Pa 600pa (Sub sill)
N rating	N5
Thermal performance	
Performance criteria	Rating
U Value SHGC	2.2 – 5.7 0.39 – 0.69



FIXED WINDOW



SLIDING DOOR

SPECIFICATIONS

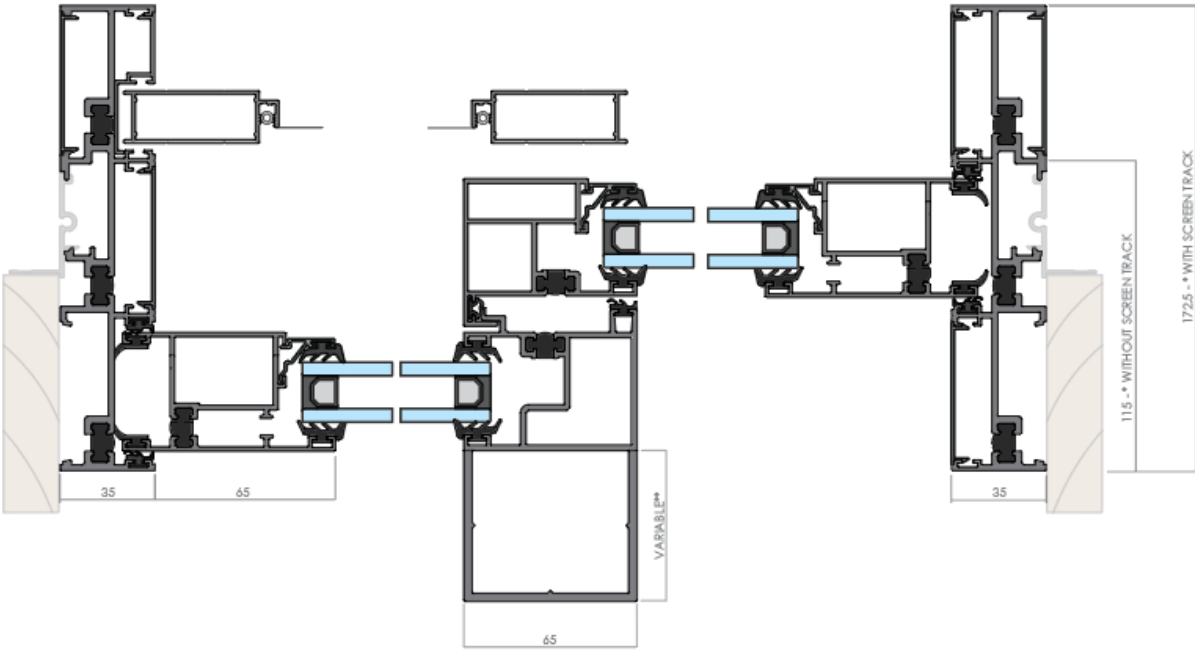
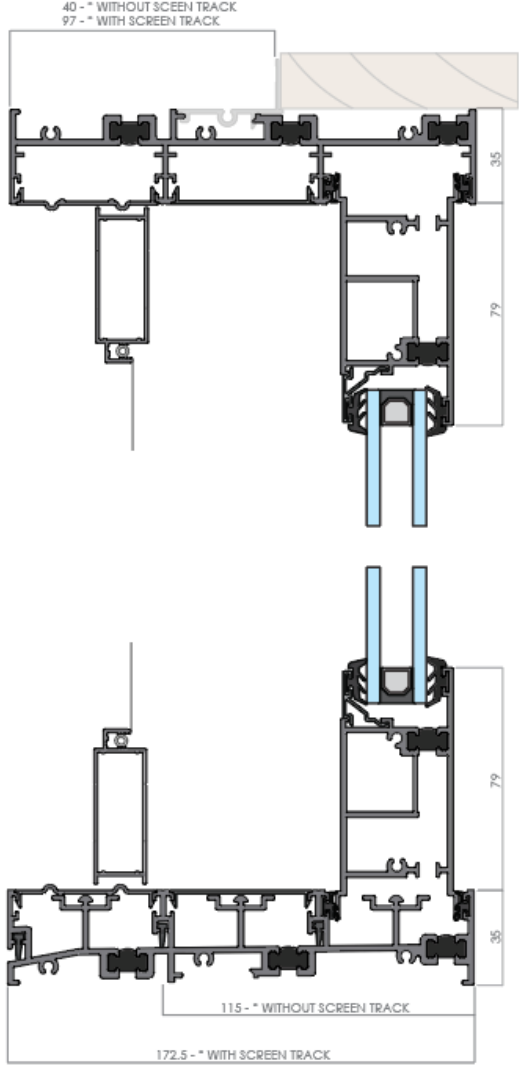
Frame profile	173mm x 35mm (with screens track)
Size limitations (Panel Size)	3000mm x 2000mm
Glazing	4mm – 24mm Single and double glazing
BAL rating	Deemed to satisfy BAL29
Seal type	Flexible rubber seals
Colour options	Black, White, Surfmist, Monument
Screen options	Flyscreen & Barrier
Hardware options	<ul style="list-style-type: none">• Mortice Lock D Handle• Double wheel rollers
Warranty	10-year warranty

PERFORMANCE

Wind and water performance	
Performance criteria	Rating
SLS	1200Pa
ULS	2000Pa
Water	150Pa 450pa (Sub sill)
N rating	N4
Thermal performance	
Performance criteria	Rating
U Value SHGC	2.2 – 5.5 0.36 – 0.64



SLIDING DOOR



STACKING DOOR

SPECIFICATIONS

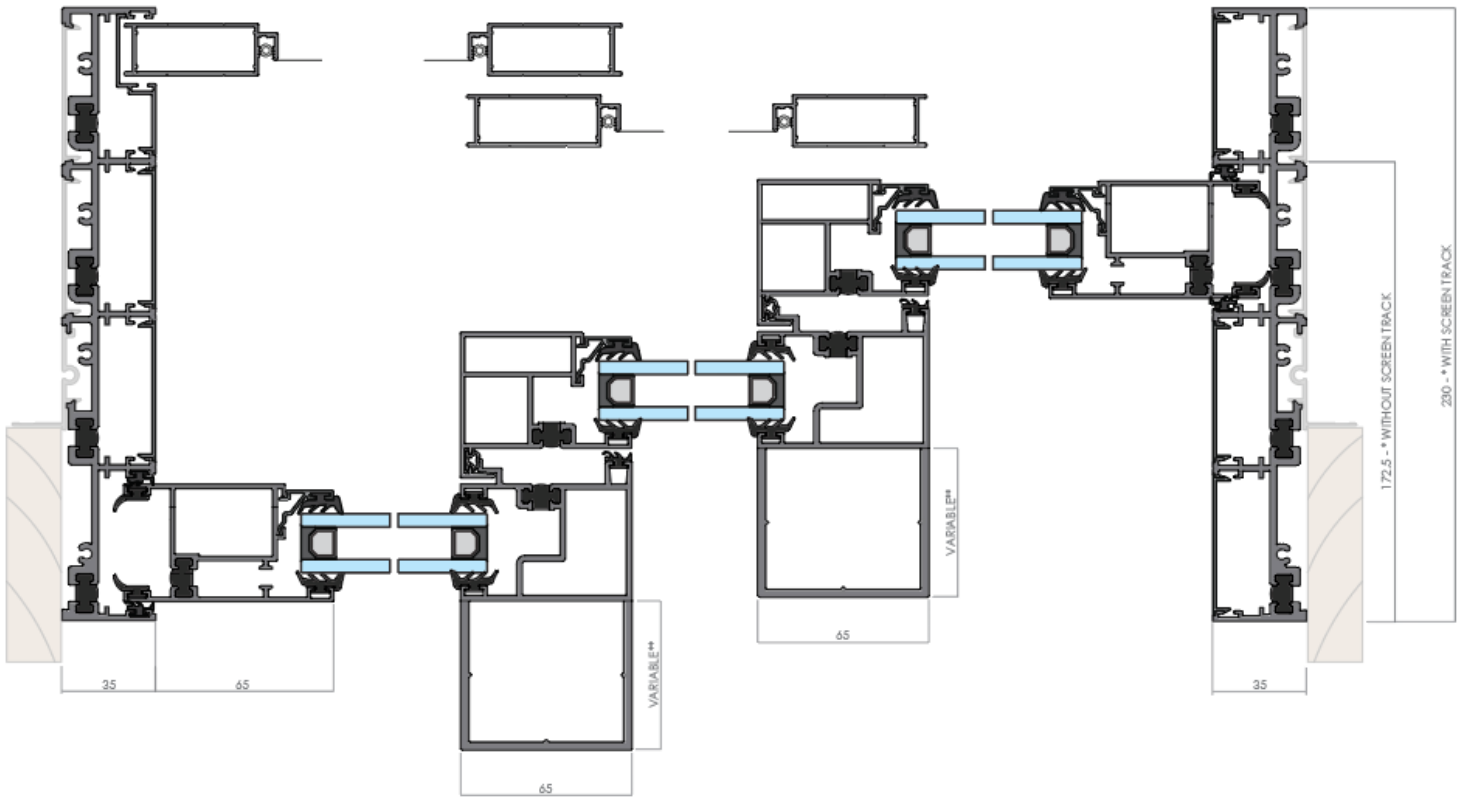
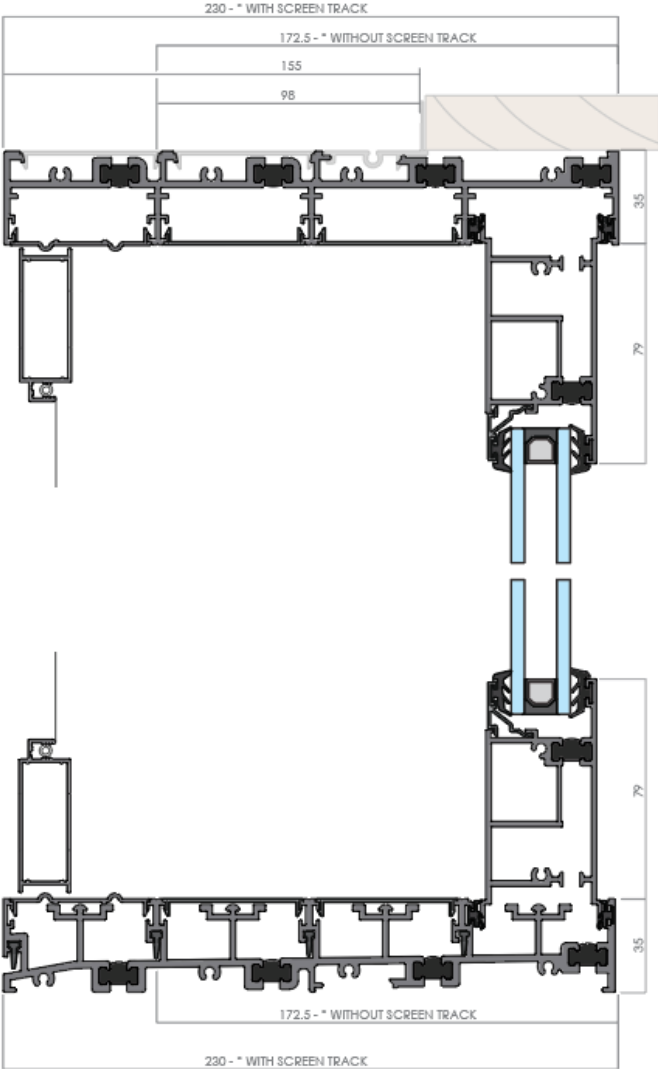
Frame profile	230mm x 35mm (with screen track)
Size limitations (Panel Size)	3000mm x 2000mm
Glazing	4mm – 24mm Single and double glazing
BAL rating	Deemed to satisfy BAL29
Seal type	Flexible rubber seals
Colour options	Black, White, Surfmist, Monument
Screen options	Flyscreen & Barrier
Hardware options	<ul style="list-style-type: none">• Mortice Lock D Handle• Double wheel rollers
Warranty	10-year warranty

PERFORMANCE

Wind and water performance	
Performance criteria	Rating
SLS	1200Pa
ULS	2000Pa
Water	150Pa 450pa (Sub sill)
N rating	N4
Thermal performance	
Performance criteria	Rating
U Value SHGC	2.2 – 5.5 0.36 – 0.64

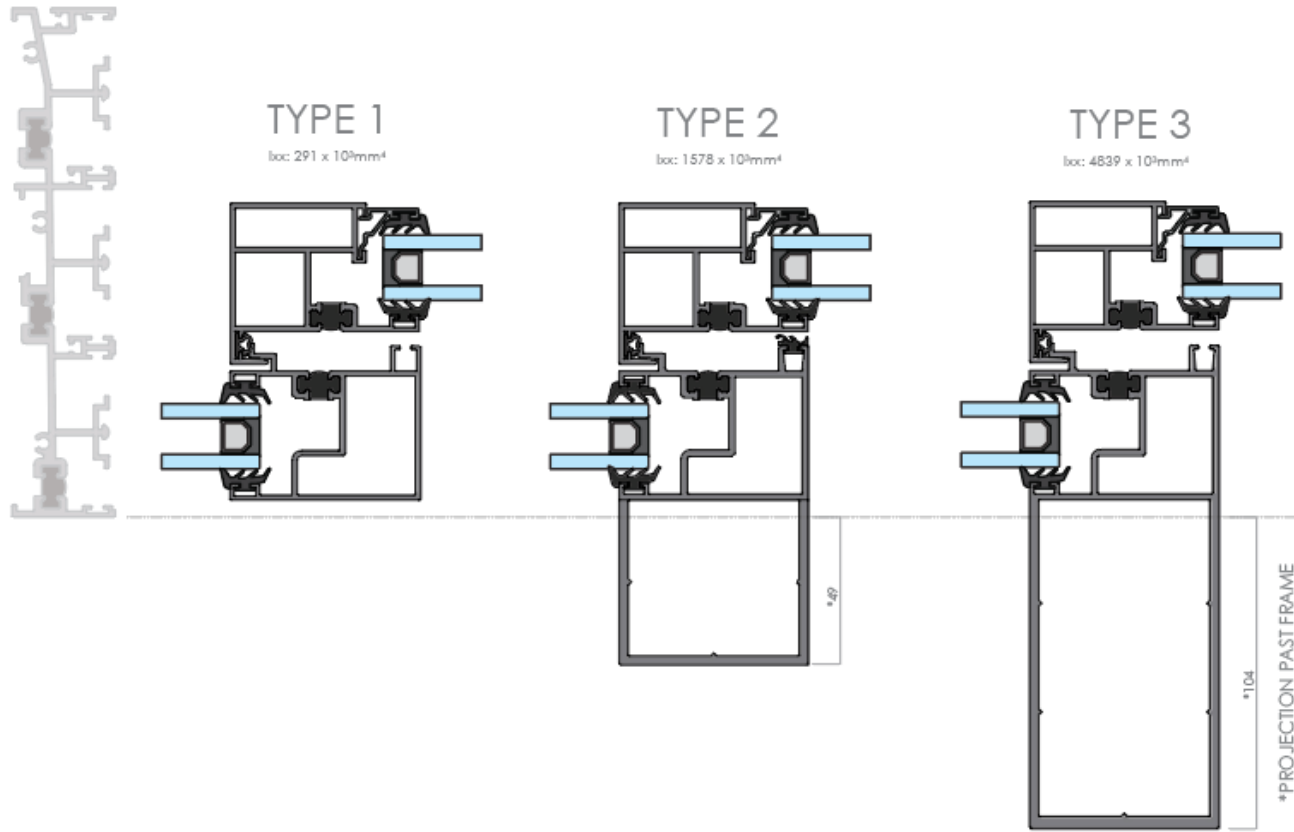


STACKING DOOR



SLIDING & STACKING DOOR

INTERLOCK TYPES



PANEL HEIGHT	PANEL WIDTH																
	N2 400pa	500	600	700	800	900	1000	1100	1200	1300	1400	1500	1600	1700	1800	1900	2000
2100	1	1	1	1	1	1	1	1	1	1	1	1	1	1	1	1	1
2200	1	1	1	1	1	1	1	1	1	1	1	1	1	1	1	1	1
2300	1	1	1	1	1	1	1	1	1	1	1	2	2	2	2	2	2
2400	1	1	1	1	1	1	2	2	2	2	2	2	2	2	2	2	2
2500	1	1	1	1	1	1	2	2	2	2	2	2	2	2	2	2	2
2600	1	1	1	1	1	2	2	2	2	2	2	2	2	2	2	2	2
2700	1	1	1	2	2	2	2	2	2	2	2	2	2	2	2	2	2
2800	1	1	2	2	2	2	2	2	2	2	2	2	2	2	2	2	2
2900	2	2	2	2	2	2	2	2	2	2	2	2	2	2	2	2	2
3000	2	2	2	2	2	2	2	2	2	2	2	2	2	2	2	2	2

PANEL HEIGHT	PANEL WIDTH																
	N3 600pa	500	600	700	800	900	1000	1100	1200	1300	1400	1500	1600	1700	1800	1900	2000
2100	1	1	1	1	1	1	1	1	2	2	2	2	2	2	2	2	2
2200	1	1	1	1	1	1	2	2	2	2	2	2	2	2	2	2	2
2300	1	1	1	1	1	2	2	2	2	2	2	2	2	2	2	2	2
2400	1	1	1	2	2	2	2	2	2	2	2	2	2	2	2	2	2
2500	1	1	2	2	2	2	2	2	2	2	2	2	2	2	2	2	2
2600	1	2	2	2	2	2	2	2	2	2	2	2	2	2	2	2	2
2700	2	2	2	2	2	2	2	2	2	2	2	2	2	2	2	2	2
2800	2	2	2	2	2	2	2	2	2	2	2	2	2	2	2	2	2
2900	2	2	2	2	2	2	2	2	2	2	2	2	2	2	2	2	2
3000	2	2	2	2	2	2	2	2	2	2	2	2	2	2	2	2	2

PANEL HEIGHT	PANEL WIDTH																
	N4 800pa	500	600	700	800	900	1000	1100	1200	1300	1400	1500	1600	1700	1800	1900	2000
2100	1	1	1	1	2	2	2	2	2	2	2	2	2	2	2	2	2
2200	1	1	1	2	2	2	2	2	2	2	2	2	2	2	2	2	2
2300	1	1	2	2	2	2	2	2	2	2	2	2	2	2	2	2	2
2400	1	2	2	2	2	2	2	2	2	2	2	2	2	2	2	2	2
2500	2	2	2	2	2	2	2	2	2	2	2	2	2	2	2	2	2
2600	2	2	2	2	2	2	2	2	2	2	2	2	2	2	2	2	2
2700	2	2	2	2	2	2	2	2	2	2	2	2	2	2	2	2	2
2800	2	2	2	2	2	2	2	2	2	2	2	2	2	2	2	2	2
2900	2	2	2	2	2	2	2	2	2	2	2	2	2	2	2	2	2
3000	2	2	2	2	2	2	2	2	2	2	2	3	3	3	3	3	3

HINGED DOOR

SPECIFICATIONS

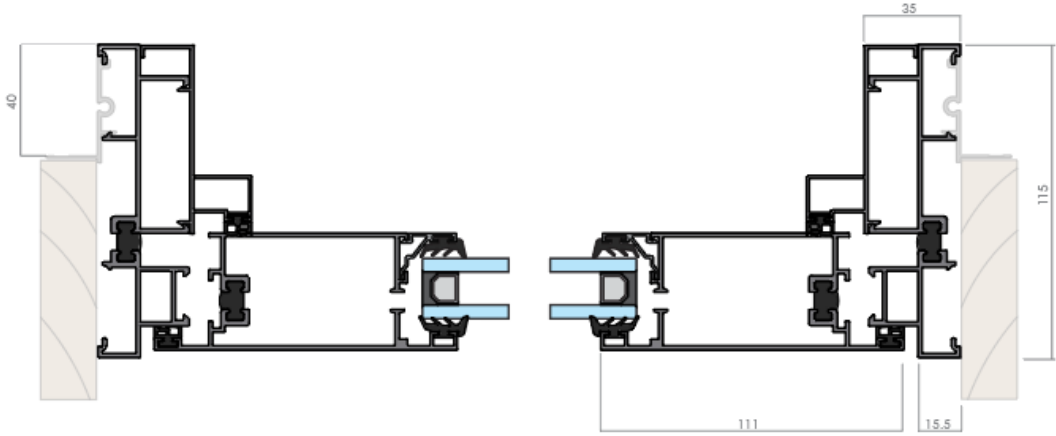
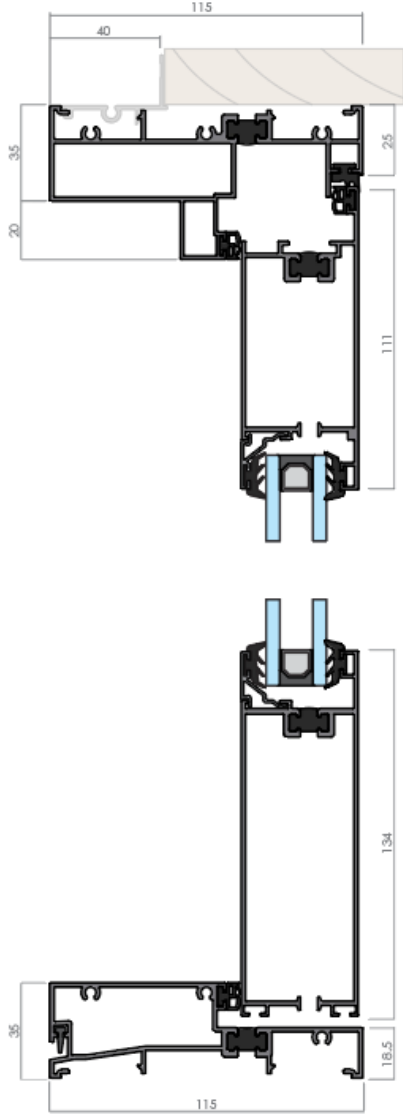
Frame profile	115mm x 35mm
Size limitations (Panel Size)	3000mm x 850mm OR 2400mm x 1000mm
Glazing	4mm – 24mm Single and double glazing
BAL rating	Deemed to satisfy BAL29
Seal type	Double Bulb Seal
Colour options	Black, White, Surfmist, Monument
Screen options	Flyscreen & Barrier
Hardware options	<ul style="list-style-type: none">• Multi point lock• Adjustable hinges
Warranty	10-year warranty

PERFORMANCE

Wind and water performance	
Performance criteria	Rating
SLS	1500Pa
ULS	3000Pa
Water	300Pa 450pa (Sub Sill)
N rating	N5
Thermal performance	
Performance criteria	Rating
U Value SHGC	2.3 – 5.0 0.29 – 0.51

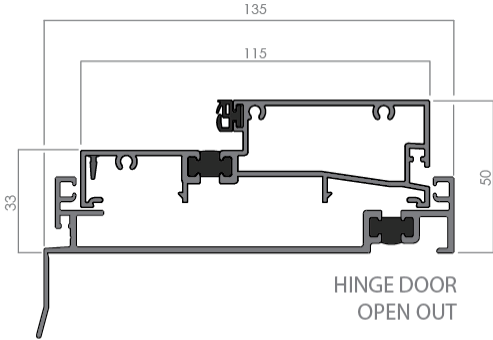
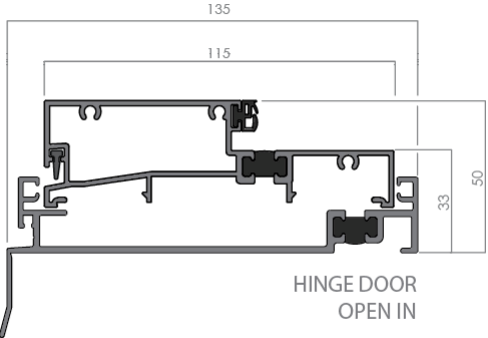
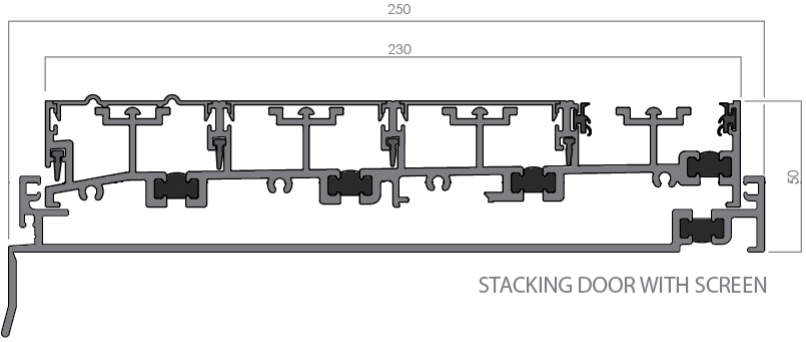
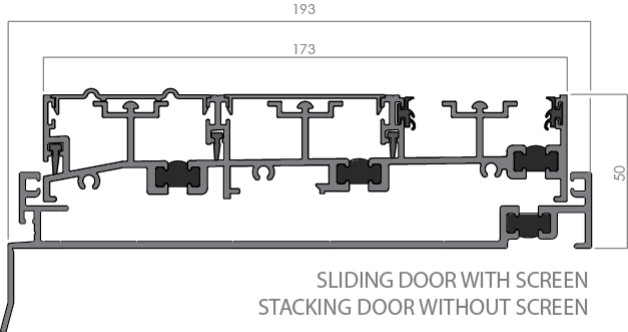
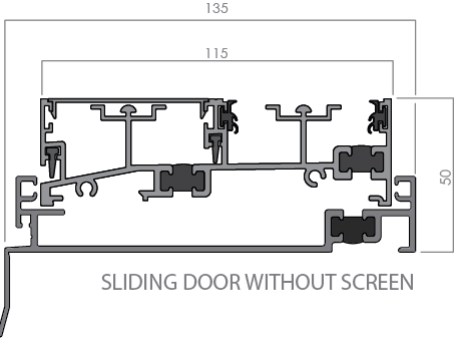


HINGED DOOR



DOOR SILLS

SUB SILL TYPES



WERS RATINGS

Awning Window

Trend code	Glass	U-Value	SHGC
TND-121-01	5Clr	5.5	0.51
TND-121-02	6Clr	5.5	0.51
TND-121-03	6Gy	5.5	0.37
TND-121-04	6LEClr	4.3	0.44
TND-121-05	6LEGy	4.4	0.32
TND-121-06	6LENtrl	4.3	0.34
TND-121-07	6.38Clr	5.4	0.51
TND-121-08	6.38Wh	5.4	0.42
TND-122-01	5Clr-12Ar-5Clr	3.5	0.45
TND-122-02	5LEClr-12Ar-5Clr	3.0	0.34
TND-122-03	5Clr-12Ar-5LEClr	3.0	0.37
TND-122-04	5LEClr-12Ar-5Gy	3.0	0.33
TND-122-05	5Gy-12Ar-5LEClr	3.0	0.25
TND-122-06	6Clr-12Ar-6Clr	3.5	0.44
TND-122-07	6Gy-12Ar-6Clr	3.5	0.29
TND-122-08	6Clr-12Ar-6Gy	3.5	0.39
TND-122-09	6LEClr-12Ar-6Clr	3.0	0.36
TND-122-10	6Clr-12Ar-6LEClr	3.0	0.37
TND-122-11	6LEClr-12Ar-6Gy	3.0	0.34
TND-122-12	6Gy-12Ar-6LEClr	3.0	0.24
TND-122-13	6.38Wh-12Ar-5Clr	3.5	0.35
TND-122-14	5Clr-12Ar-6.38Wh	3.5	0.41

Fixed Window

Trend code	Glass	U-Value	SHGC
TND-123-01	5Clr	5.7	0.69
TND-123-02	6Clr	5.7	0.69
TND-123-03	6Gy	5.7	0.50
TND-123-04	6LEClr	4.0	0.59
TND-123-05	6LEGy	4.1	0.40
TND-123-06	6LENtrl	4.0	0.45
TND-123-07	6.38Clr	5.7	0.69
TND-123-08	6.38Wh	5.7	0.57
TND-124-01	5Clr-12Ar-5Clr	3.0	0.60
TND-124-02	5LEClr-12Ar-5Clr	2.1	0.46
TND-124-03	5Clr-12Ar-5LEClr	2.1	0.50
TND-124-04	5LEClr-12Ar-5Gy	2.1	0.44
TND-124-05	5Gy-12Ar-5LEClr	2.1	0.33
TND-124-06	6Clr-12Ar-6Clr	3.0	0.59
TND-124-07	6Gy-12Ar-6Clr	3.0	0.39
TND-124-08	6Clr-12Ar-6Gy	3.0	0.52
TND-124-09	6LEClr-12Ar-6Clr	2.2	0.49
TND-124-10	6Clr-12Ar-6LEClr	2.2	0.50
TND-124-11	6LEClr-12Ar-6Gy	2.2	0.46
TND-124-12	6Gy-12Ar-6LEClr	2.2	0.31
TND-124-13	6.38Wh-12Ar-5Clr	3.0	0.47
TND-124-14	5Clr-12Ar-6.38Wh	3.0	0.56

Sliding Window

Trend code	Glass	U-Value	SHGC
TND-125-01	5Clr	5.6	0.60
TND-125-02	6Clr	5.5	0.60
TND-125-03	6Gy	5.5	0.43
TND-125-04	6LEClr	4.1	0.51
TND-125-05	6LEGy	4.1	0.35
TND-125-06	6LENtrl	4.1	0.40
TND-125-07	6.38Clr	5.5	0.60
TND-125-08	6.38Wh	5.5	0.50
TND-126-01	5Clr-12Ar-5Clr	3.2	0.53
TND-126-02	5LEClr-12Ar-5Clr	2.5	0.40
TND-126-03	5Clr-12Ar-5LEClr	2.5	0.43
TND-126-04	5LEClr-12Ar-5Gy	2.5	0.38
TND-126-05	5Gy-12Ar-5LEClr	2.5	0.29
TND-126-06	6Clr-12Ar-6Clr	3.2	0.52
TND-126-07	6Gy-12Ar-6Clr	3.2	0.34
TND-126-08	6Clr-12Ar-6Gy	3.2	0.46
TND-126-09	6LEClr-12Ar-6Clr	2.5	0.42
TND-126-10	6Clr-12Ar-6LEClr	2.5	0.44
TND-126-11	6LEClr-12Ar-6Gy	2.5	0.40
TND-126-12	6Gy-12Ar-6LEClr	2.5	0.27
TND-126-13	6.38Wh-12Ar-5Clr	3.2	0.41
TND-126-14	5Clr-12Ar-6.38Wh	3.2	0.49

WERS RATINGS

Sliding/Stacking Door

Trend code	Glass	U-Value	SHGC
TND-127-01	5Clr	5.5	0.64
TND-127-02	6Clr	5.5	0.63
TND-127-03	6Gy	5.5	0.45
TND-127-04	6LEClr	4.0	0.54
TND-127-05	6LEGy	4.0	0.37
TND-127-06	6LENtrl	4.0	0.42
TND-127-07	6.38Clr	5.4	0.63
TND-127-08	6.38Wh	5.4	0.52
TND-128-01	5Clr-12Ar-5Clr	3.0	0.55
TND-128-02	5LEClr-12Ar-5Clr	2.2	0.42
TND-128-03	5Clr-12Ar-5LEClr	2.2	0.46
TND-128-04	5LEClr-12Ar-5Gy	2.2	0.40
TND-128-05	5Gy-12Ar-5LEClr	2.2	0.30
TND-128-06	6Clr-12Ar-6Clr	3.0	0.54
TND-128-07	6Gy-12Ar-6Clr	3.0	0.36
TND-128-08	6Clr-12Ar-6Gy	3.0	0.48
TND-128-09	6LEClr-12Ar-6Clr	2.3	0.45
TND-128-10	6Clr-12Ar-6LEClr	2.3	0.46
TND-128-11	6LEClr-12Ar-6Gy	2.3	0.42
TND-128-12	6Gy-12Ar-6LEClr	2.3	0.28
TND-128-13	6.38Wh-12Ar-5Clr	3.0	0.43
TND-128-14	5Clr-12Ar-6.38Wh	3.0	0.51

Hinge Door

Trend code	Glass	U-Value	SHGC
TND-129-01	5Clr	5.0	0.51
TND-129-02	6Clr	4.9	0.51
TND-129-03	6Gy	4.9	0.37
TND-129-04	6LEClr	3.7	0.43
TND-129-05	6LEGy	3.7	0.30
TND-129-06	6LENtrl	3.7	0.34
TND-129-07	6.38Clr	4.9	0.51
TND-129-08	6.38Wh	4.9	0.42
TND-130-01	5Clr-12Ar-5Clr	3.0	0.45
TND-130-02	5LEClr-12Ar-5Clr	2.4	0.34
TND-130-03	5Clr-12Ar-5LEClr	2.4	0.37
TND-130-04	5LEClr-12Ar-5Gy	2.4	0.33
TND-130-05	5Gy-12Ar-5LEClr	2.4	0.25
TND-130-06	6Clr-12Ar-6Clr	3.0	0.44
TND-130-07	6Gy-12Ar-6Clr	3.0	0.29
TND-130-08	6Clr-12Ar-6Gy	3.0	0.39
TND-130-09	6LEClr-12Ar-6Clr	2.4	0.36
TND-130-10	6Clr-12Ar-6LEClr	2.4	0.37
TND-130-11	6LEClr-12Ar-6Gy	2.4	0.34
TND-130-12	6Gy-12Ar-6LEClr	2.4	0.23
TND-130-13	6.38Wh-12Ar-5Clr	3.0	0.35
TND-130-14	5Clr-12Ar-6.38Wh	3.0	0.41

WERS RATINGS

Aneeta STD

Trend code	Glass	U-Value	SHGC
TND-131-01	5Clr	TBC	TBC
TND-131-02	6Clr	TBC	TBC
TND-131-03	6Gy	TBC	TBC
TND-131-04	6LEClr	TBC	TBC
TND-131-05	6LEGy	TBC	TBC
TND-131-06	6LENtrl	TBC	TBC
TND-131-07	6.38Clr	TBC	TBC
TND-131-08	6.38Wh	TBC	TBC
TND-132-01	4Clr-8Ar-4Clr	3.9	0.60
TND-132-02	4Gy-8Ar-4Clr	3.9	0.45
TND-132-03	4Clr-8Ar-4Gy	3.9	0.55
TND-132-04	4LEClr-8Ar-4Clr	3.0	0.45
TND-132-05	4Clr-8Ar-4LEClr	3.0	0.46
TND-132-06	4LEClr-8Ar-4Gy	3.0	0.43
TND-132-07	4Gy-8Ar-4LEClr	3.0	0.44
TND-132-08	6.38Wh-6Ar-4Clr	4.0	0.46
TND-132-09	4Clr-6Ar-6.38Wh	4.0	0.54

Aneeta ThermaGlide

Trend code	Glass	U-Value	SHGC
TND-133-01	4Clr-14Ar-4Clr	3.1	0.59
TND-133-02	4Gy-14Ar-4Clr	3.1	0.44
TND-133-03	4Clr-14Ar-4Gy	3.1	0.54
TND-133-04	4LEClr-14Ar-4Clr	2.2	0.44
TND-133-05	4Clr-14Ar-4LEClr	2.2	0.46
TND-133-06	4LEClr-14Ar-4Gy	2.2	0.43
TND-133-07	4Gy-14Ar-4LEClr	2.2	0.44
TND-133-08	6.38Wh-12Ar-4Clr	3.1	0.45
TND-133-09	4Clr-12Ar-6.38Wh	3.1	0.54

THANK YOU

TREND[®]
WINDOWS

& DOORS